

TS TUBE FURNACE

GENERAL INFORMATION

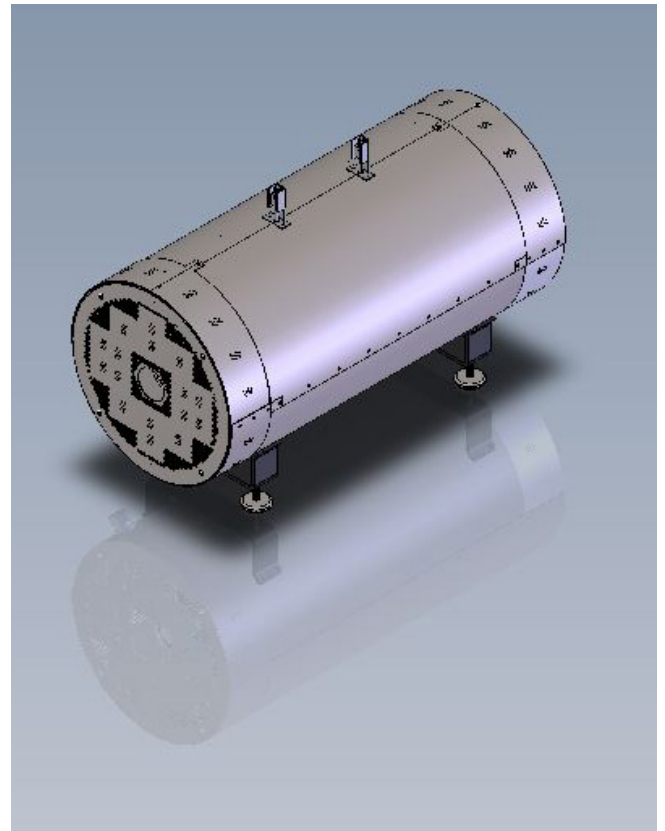
The furnace operates at temperatures up to 1550°C in air. It is an economical alternative to the more expensive Moly Disilicide furnaces. The furnace comes standard with a single thermocouple port, coated firebrick vestibules at each end of the furnace, four support legs, and a power cord.

HEATING ELEMENT

The furnace utilizes Silicon Carbide heating elements capable of 1550°C in air. These heating elements are special, Silicon Carbide spiral groove, rod-style heating elements. These operate with surface-watt loading for longer life at elevated temperatures and are field-replaceable for easy maintenance. They are strategically engineered in a dual ladder pattern to radiate heat uniformly to the internal chamber.

CONTROLLER

Sold Separately.



SERIES	TS Tube Furnace
MAX TEMPERATURE	1550°C
ELEMENT TYPE	Silicon Carbide
CONTROLLER	Sold Separately
VOLTS	120V & 208V/240V

*As always, if this product does not meet your requirements, please contact us.
Mellen will work with you personally to create a product that best suits your needs every time.*

Prices are valid until 2018.



TS TUBE FURNACE

MODEL	HEATED LENGTH (IDxL)	V:W	EXTERNAL DIMENSIONS (WxHxL)	MAX TEMP
TS14-2x6	2"x6"	120V:2850W	25"x26"x17"	1400°C
TS14-2x12	2"x12"	208/240V:3800W	25"x26"x23"	1400°C
TS14-2x18	2"x18"	208/240V:5700W	25"x26"x29"	1400°C
TS14-2x24	2"x24"	208/240V:7600W	25"x26"x35"	1400°C
TS14-3x6	3"x6"	208/240V:3000W	27"x27"x17"	1400°C
TS14-3x12	3"x12"	208/240V:5600W	27"x27"x23"	1400°C
TS14-3x24	3"x24"	208/240V:11200W	27"x27"x35"	1400°C
TS14-4x12	4"x12"	208/240V:7500W	29"x29"x23"	1400°C
TS14-4x24	4"x24"	208/240V:15100W	29"x29"x35"	1400°C
TS14-5x12	5"x12"	208/240V:9300W	30"x30"x23"	1400°C
TS14-5x18	5"x18"	208/240V:14000W	30"x30"x29"	1400°C
TS14-5x24	5"x24"	208/240V:18700W	30"x30"x35"	1400°C
TS14-6x12	6"x12"	208/240V:11700W	32"x32"x23"	1400°C
TS14-6x24	6"x24"	208/240V:21400W	32"x32"x35"	1400°C
TS14-7x24	7"x24"	208/240V:28000W	32"x32"x25"	1400°C
TS14-9x36	9"x36"	208/240V:39000W	34"x34"x47"	1400°C
TS15.5-2x6	2"x6"	120V:3420W	25"x26"x17"	1550°C
TS15.5-2x12	2"x12"	208/240V:4560W	25"x26"x23"	1550°C
TS15.5-2x18	2"x18"	208/240V:6840W	25"x26"x29"	1550°C

Please note, all exterior dimensions are approximate.



TS TUBE FURNACE

MODEL	HEATED LENGTH (IDxL)	V:W	EXTERNAL DIMENSIONS (WxHxL)	MAX TEMP
TS15.5-2x24	2"x24"	208/240V:9120W	25"x26"x35"	1550°C
TS15.5-3x6	3"x6"	208/240V:3600W	27"x27"x17"	1550°C
TS15.5-3x12	3"x12"	208/240V:6720W	27"x27"x23"	1550°C
TS15.5-3x24	3"x24"	208/240V:19560W	27"x27"x35"	1550°C
TS15.5-4x12	4"x12"	208/240V:9000W	29"x29"x23"	1550°C
TS15.5-4x24	4"x24"	208/240V:25368W	29"x29"x35"	1550°C
TS15.5-5x12	5"x12"	208/240V:11160W	30"x30"x23"	1550°C
TS15.5-5x18	5"x18"	208/240V:16800W	30"x30"x29"	1550°C
TS15.5-5x24	5"x24"	208/240V:22440W	30"x30"x35"	1550°C
TS15.5-6x12	6"x12"	208/240V:14040W	32"x32"x23"	1550°C
TS15.5-6x24	6"x24"	208/240V:25680W	32"x32"x35"	1550°C
TS15.5-7x24	7"x24"	208/240V:33600W	32"x32"x25"	1550°C
TS15.5-9x36	9"x36"	208/240V:46800W	34"x34"x47"	1550°C

Please note, all exterior dimensions are approximate.

