

# TC TUBE FURNACE

## GENERAL INFORMATION

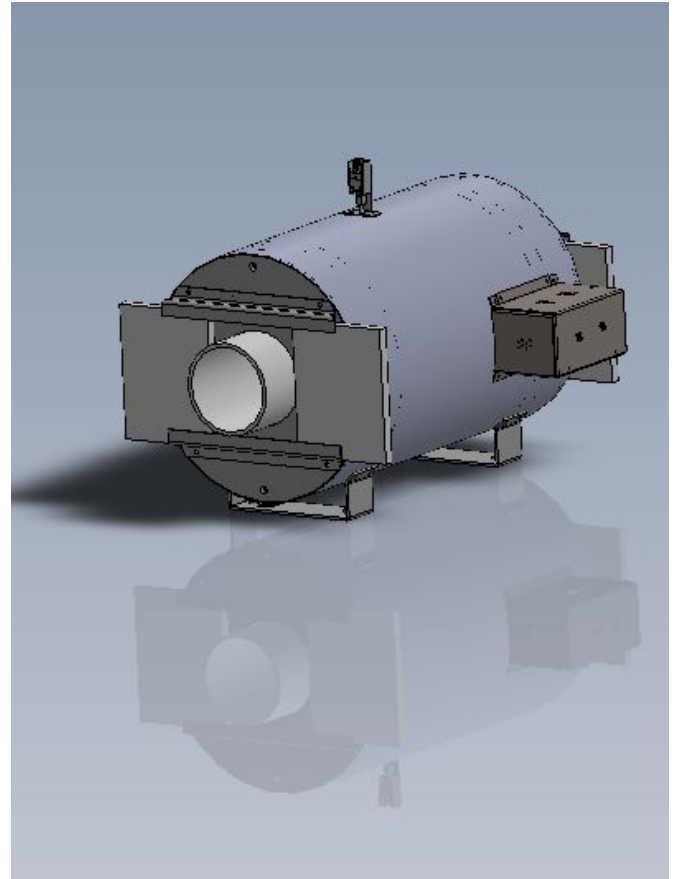
The furnace operates at temperatures up to 1250°C in air. The TC Tube Furnace is constructed with quality, low-mass ceramic-fiber insulation and coated firebrick vestibules for thermal efficiency. The outer skin of the furnace is composed of a rugged, heavy-gauge stainless steel shell that ensures maintenance-free durability. Long-lasting steel end plates are provided for each end to prevent thermal distortion.

## HEATING ELEMENT

The furnace utilizes Clamshell heating elements capable of 1250°C in air.

## CONTROLLER

Sold Separately.



SERIES	TC Tube Furnace
MAX TEMPERATURE	1250°C
ELEMENT TYPE	Clamshell
CONTROLLER	Sold Separately
VOLTS	120V & 208V/240V

*As always, if this product does not meet your requirements, please contact us.  
Mellen will work with you personally to create a product that best suits your needs every time.*

Prices are valid until 2018.



# TC TUBE FURNACE

MODEL	HEATED LENGTH (IDxL)	V:W	EXTERNAL DIMENSIONS (ODxL)	MAX TEMP
TC11-1.25x4	1.25"x4"	120V:545W	8"x6.25"	1100°C
TC11-1.25x12	1.25"x12"	120V:1000W	8"x15"	1100°C
TC11-2.375x18	2.375"x18"	120V:2800W/208V:2300W	10"x21"	1100°C
TC11-2.375x24	2.375"x24"	208/240V:2200W	10"x27"	1100°C
TC11-3x12	3"x12"	120/208/240V:2600W	10"x15"	1100°C
TC11-3x18	3"x18"	208/240V:2200W	10"x21"	1100°C
TC11-3x24	3"x24"	208/240V:5200W	10"x27"	1100°C
TC11-3x36	3"x36"	208/240V:4400W	10"x41"	1100°C
TC11-3.75x24	3.75"x24"	208/240V:4500W	12"x29"	1100°C
TC11-5x12	5"x12"	208/240V:2200W	14"x17"	1100°C
TC11-5x24	5"x24"	208/240V:4400W	14"x29"	1100°C
TC11-5x36	5"x36"	208/240V:6600W	14"x41"	1100°C
TC11-6x24	6"x24"	208/240V:7200W	16"x29"	1100°C
TC11-6x36	6"x36"	208/240V:9100W	16"x41"	1100°C
TC12-1.25x4	1.25"x4"	120V:585W	8"x6.25"	1200°C
TC12-1.25x12	1.25"x12"	120V:1050W	8"x15"	1200°C
TC12-2.375x18	2.375"x18"	120V:1000W/208V:1900W	10"x21"	1200°C
TC12-2.375x24	2.375"x24"	208/240V:4400W	10"x27"	1200°C
TC12-3x12	3"x12"	120:2600W/208V:2150W	10"x15"	1200°C

Please note, all exterior dimensions are approximate.



# TC TUBE FURNACE

MODEL	HEATED LENGTH (IDxL)	V:W	EXTERNAL DIMENSIONS (ODxL)	MAX TEMP
TC12-3x18	3"x18"	208/240V:2350W	10"x21"	1200°C
TC12-3x24	3"x24"	208/240V:4250W	10"x27"	1200°C
TC12-3x36	3"x36"	208/240V:6400W	10"x41"	1200°C
TC12-3.75x24	3.75"x24"	208/240V:4000W	12"x29"	1200°C
TC12-5x12	5"x12"	208/240V:4450W	14"x17"	1200°C
TC12-5x24	5"x24"	208/240V:6000W	14"x29"	1200°C
TC12-5x36	5"x36"	208/240V:8000W	14"x41"	1200°C
TC12-6x24	6"x24"	208/240V:6250W	16"x29"	1200°C
TC12-6x36	6"x36"	208/240V:10200W	16"x41"	1200°C
TC12.5-1.25x4	1.25"x4"	120V:600W	8"x6.25"	1250°C
TC12.5-1.25x12	1.25"x12"	120V:1000W	8"x15"	1250°C
TC12.5-2.375x18	2.375"x18"	120V:2600W/208V:2100W	10"x21"	1250°C
TC12.5-2.375x24	2.375"x24"	208/240V:5000W	10"x27"	1250°C
TC12.5-3x12	3"x12"	120V:2000W/208V:2400W	10"x15"	1250°C
TC12.5-3x18	3"x18"	208/240V:2600W	10"x21"	1250°C
TC12.5-3x24	3"x24"	208/240V:4800W	10"x27"	1250°C
TC12.5-3x36	3"x36"	208/240V:7200W	10"x41"	1250°C
TC12.5-3.75x24	3.75"x24"	208/240V:4400W	12"x29"	1250°C
TC12.5-5x12	5"x12"	208/240V:4800W	14"x17"	1250°C

Please note, all exterior dimensions are approximate.



# TC TUBE FURNACE

MODEL	HEATED LENGTH (IDxL)	V:W	EXTERNAL DIMENSIONS (ODxL)	MAX TEMP
TC12.5-5x24	5"x24"	208/240V:6600W	14"x29"	1250°C
TC12.5-5x36	5"x36"	208/240V:8750W	14"x41"	1250°C
TC12.5-6x24	6"x24"	208/240V:7000W	16"x29"	1250°C
TC12.5-6x36	6"x36"	208/240V:11500W	16"x41"	1250°C

Please note, all exterior dimensions are approximate.

