

SS SPLIT FURNACE

GENERAL INFORMATION

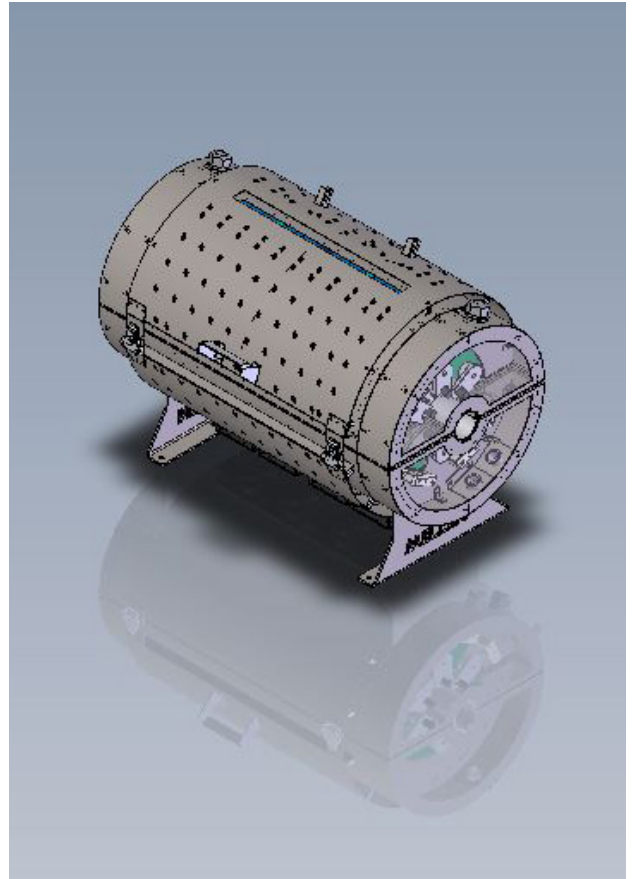
The furnace operates at temperatures up to 1550°C in air. The furnace comes available in hexagonal, rectangular, or circular bores. The furnace is economical to operate and has very easy to replace elements for ultimate customer satisfaction. The furnace has rugged coated firebrick vestibules and is designed with a double-wall steel construction to provide a cool and robust exterior.

HEATING ELEMENT

The furnace utilizes Silicon Carbide heating elements capable of 1550°C in air. These heating elements use surface-watt loading for longer life at elevated temperatures.

CONTROLLER

Sold Separately.



SERIES	SS Split Furnace
MAX TEMPERATURE	1550°C
ELEMENT TYPE	Silicon Carbide
CONTROLLER	Sold Separately
VOLTS	208V/240V

*As always, if this product does not meet your requirements, please contact us.
Mellen will work with you personally to create a product that best suits your needs every time.*

Prices are valid until 2018.



SS SPLIT FURNACE

MODEL	HEATED LENGTH (IDxD)	V:W	EXTERNAL DIMENSIONS (WxHxD)	MAX TEMP
SS14-2x6	2"x6"	208/240V:2850W	25"x26"x17"	1400°C
SS14-2x12	2"x12"	208/240V:3800W	25"x26"x23"	1400°C
SS14-2x18	2"x18"	208/240V:8550W	25"x26"x29"	1400°C
SS14-2x24	2"x24"	208/240V:10000W	25"x26"x35"	1400°C
SS14-3x6	3"x6"	208/240V:4200W	27"x27"x17"	1400°C
SS14-3x12	3"x12"	208/240V:6200W	27"x27"x23"	1400°C
SS14-3x18	3"x18"	208/240V:8400W	27"x27"x29"	1400°C
SS14-3x24	3"x24"	208/240V:10000W	27"x27"x35"	1400°C
SS14-4x12	4"x12"	208/240V:7500W	29"x29"x23"	1400°C
SS14-4x18	4"x18"	208/240V:14000W	29"x29"x29"	1400°C
SS14-4x24	4"x24"	208/240V:21000W	29"x29"x35"	1400°C
SS14-5x18	5"x18"	208/240V:16000W	30"x30"x29"	1400°C
SS14-5x24	5"x24"	208/240V:22000W	30"x30"x35"	1400°C
SS14-5x36	5"x36"	208/240V:30000W	30"x30"x47"	1400°C
SS14-6x24	6"x24"	208/240V:35000W	32"x32"x35"	1400°C
SS14-6x36	6"x36"	208/240V:40500W	32"x32"x47"	1400°C
SS14-7x24	7"x24"	208/240V:28000W	32"x32"x35"	1400°C
SS14-7x36	7"x36"	208/240V:35000W	32"x32"x47"	1400°C
SS14-9x24	9"x24"	208/240V:48000W	34"x34"x35"	1400°C
SS14-9x36	9"x36"	208/240V:50400W	34"x34"x47"	1400°C

Please note, all exterior dimensions are approximate.



SS SPLIT FURNACE

MODEL	HEATED LENGTH (IDxD)	V:W	EXTERNAL DIMENSIONS (WxHxD)	MAX TEMP
SS15.5-2x6	2"x6"	208/240V:3420W	25"x26"x17"	1550°C
SS15.5-2x12	2"x12"	208/240V:4560W	25"x26"x23"	1550°C
SS15.5-2x18	2"x18"	208/240V:10260W	25"x26"x29"	1550°C
SS15.5-2x24	2"x24"	208/240V:12000W	25"x26"x35"	1550°C
SS15.5-3x6	3"x6"	208/240V:5040W	27"x27"x17"	1550°C
SS15.5-3x12	3"x12"	208/240V:7040W	27"x27"x23"	1550°C
SS15.5-3x18	3"x18"	208/240V:10080W	27"x27"x29"	1550°C
SS15.5-3x24	3"x24"	208/240V:13000W	27"x27"x35"	1550°C
SS15.5-4x12	4"x12"	208/240V:9000W	29"x29"x23"	1550°C
SS15.5-4x18	4"x18"	208/240V:16000W	29"x29"x29"	1550°C
SS15.5-4x24	4"x24"	208/240V:25200W	29"x29"x35"	1550°C
SS15.5-5x18	5"x18"	208/240V:19200W	30"x30"x29"	1550°C
SS15.5-5x24	5"x24"	208/240V:25000W	30"x30"x35"	1550°C
SS15.5-5x36	5"x36"	208/240V:30000W	30"x30"x47"	1550°C
SS15.5-6x24	6"x24"	208/240V:43000W	32"x32"x35"	1550°C
SS15.5-6x36	6"x36"	208/240V:48600W	32"x32"x47"	1550°C
SS15.5-7x24	7"x24"	208/240V:33600W	32"x32"x35"	1550°C
SS15.5-7x36	7"x36"	208/240V:38000W	32"x32"x47"	1550°C
SS15.5-9x24	9"x24"	208/240V:54300W	34"x34"x35"	1550°C
SS15.5-9x36	9"x36"	208/240V:60480W	34"x34"x47"	1550°C

Please note, all exterior dimensions are approximate.

